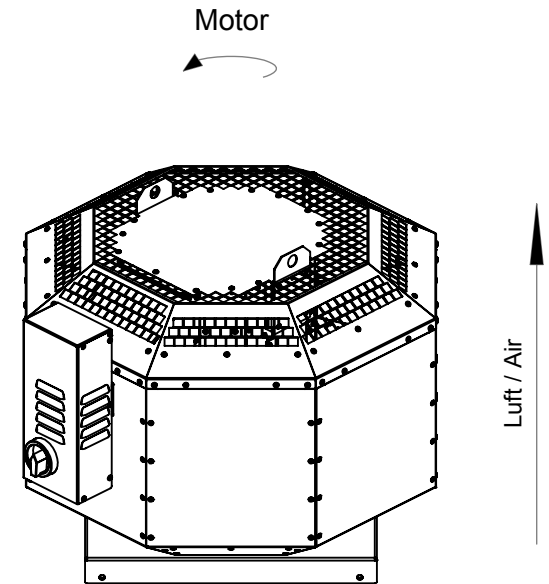
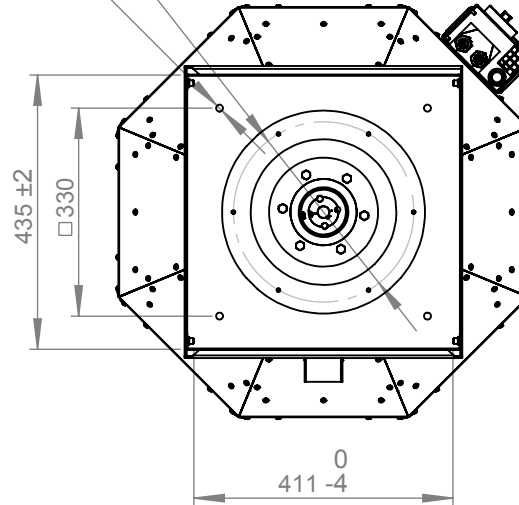


$\varnothing 286$
 6x M6x15
 4x $\varnothing 11$



Protection Mark
 according to ISO 16016
 Created a.mezei
 Drawn a.mezei
 Released a.ganea
 Disabled

1:12 A4 mm

General tolerances
 DIN ISO 2768-c

DVNI280EC30

145175 01