

Series: COMPACT-FAN Type D/DS

double inlet
with forward curved blades

FISCHBACH

Luft- und Ventilatorentechnik GmbH

Type: D570/E25

ERP KONFORM

CE -conform



manufacturer:

Fischbach Luft- und Ventilatorentechnik GmbH
Am Hellerberg 22-24
D-57290 Neunkirchen

phone: ++49(0)2735/777-0

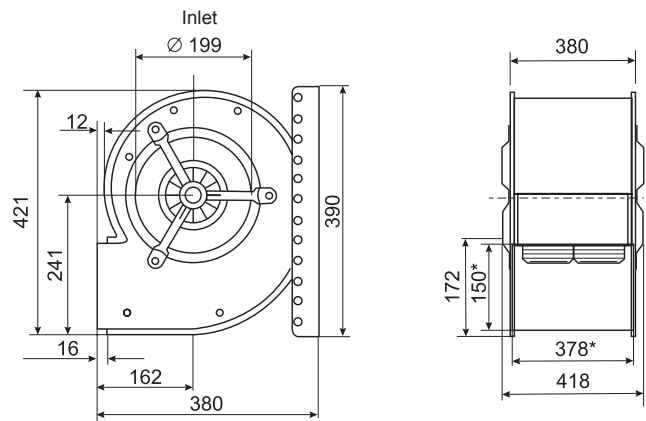
telefax: ++49(0)2735/770-625

internet: www.fischbach-luft.de

email: info@fischbach-luft.de

Technical Data

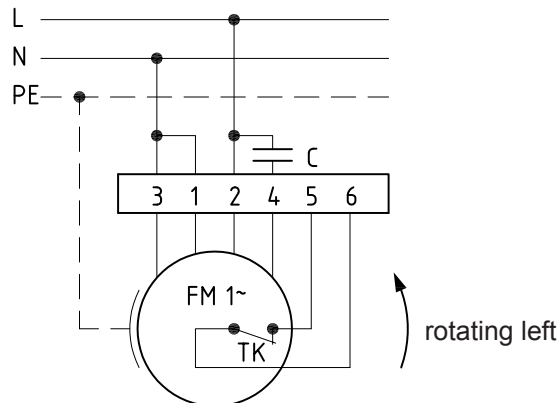
weight:	(kg)	17
material housing:	steel, galvanized	
material impeller:	steel, galvanized	
direction of rotation:	left	
protection class:	IP 65	
insulation class:	F	
motor protection:	thermal contact	



*external dimension of discharge

connection plan

0.11-1 I.



the silent one

Series: **COMPACT-FAN Type D/DS**

double inlet
with forward curved blades

FISCHBACH

Luft- und Ventilatorentechnik GmbH

Type: **D570/E25**

ErP 2013 2015 x 2018

Performance data

main voltage:	(V)	230 (1~)
frequency:	(Hz)	50
current max.:	(A)	3,43
power input max.:	(kW)	0,74
air flow volume max.:	(m ³ /h)	3400
statical pressure max.:	(Pa)	455
speed max.:	(rpm)	1421
supply air temperature:	(°C)	-25... +60
capacitor:	(µF)	16

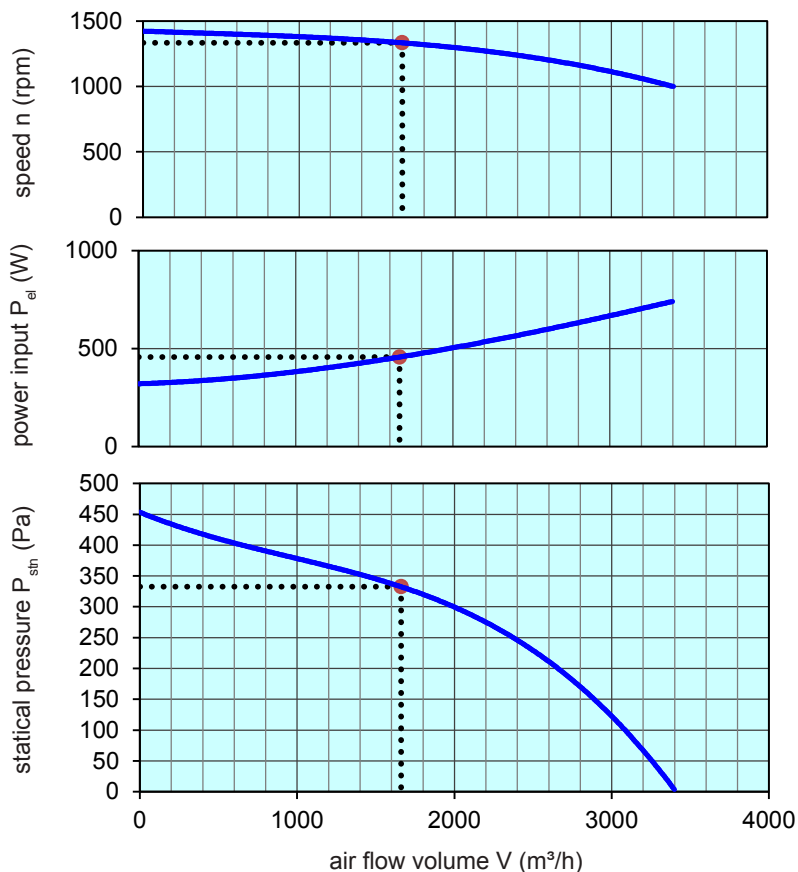
ErP-Data:

total efficiency fan (η_e):	(%)	35,5
installation category:		A
efficiency category:		static
efficiency grade: N	(%)	44
target efficiency (η_{target}):	(%)	35,4
speed controller		no
year of manufacturing		since 2015
manufacturer:	Fischbach Luft- und Ventilatorentechnik GmbH D-57290 Neunkirchen / HRB 5804 Siegen	
order no.		18011892
power input:	(kW)	0,44
air flow volume:	(m ³ /h)	1680
statical pressure:	(Pa)	335
speed:	(rpm)	1329
specific ratio:		1

disassembling/recycling/disposal: see page decommission

installation/operation/maintenance: see operating and mounting instructions

measurement for determination of efficiency without additional items



Speed controller / accessories / sound data, please see in the appropriate table

Technical documentation according to page: **General information**